

Surge Arrestors

Type APT-NFNF-SMI, Iridium System

MJ Sales, Inc.
P.O. Box 166
Pearce, AZ 85625
P: 520-824-2261
F: 520-824-2264
www.mjsales.net
satdish@vtc.net
CAGE Code: 1G9J4



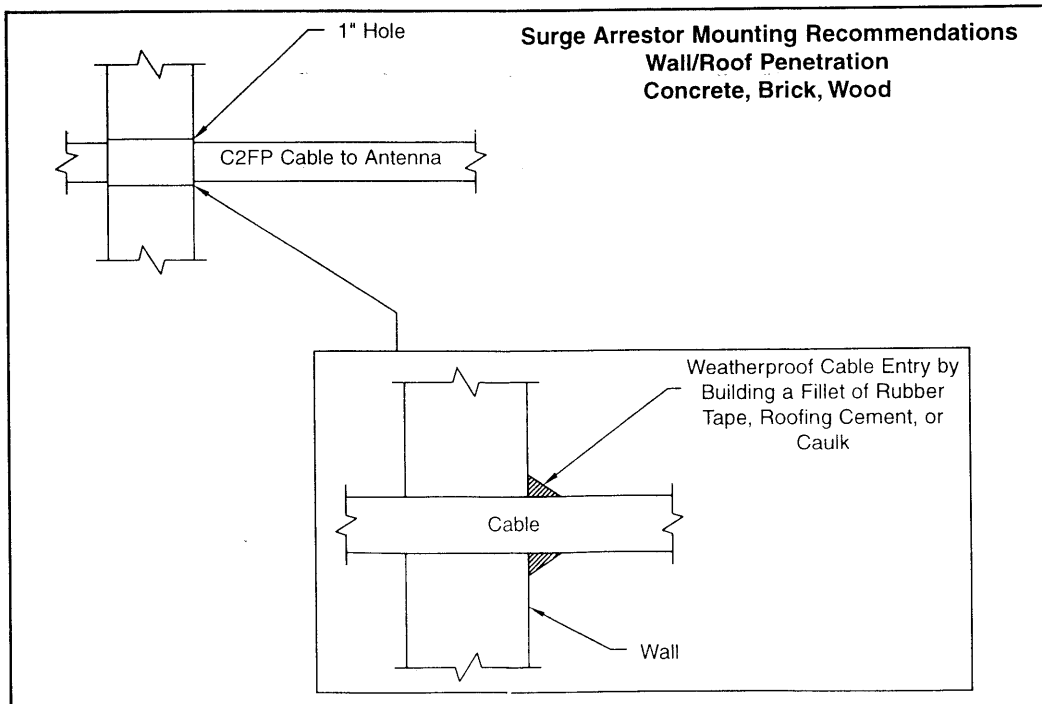
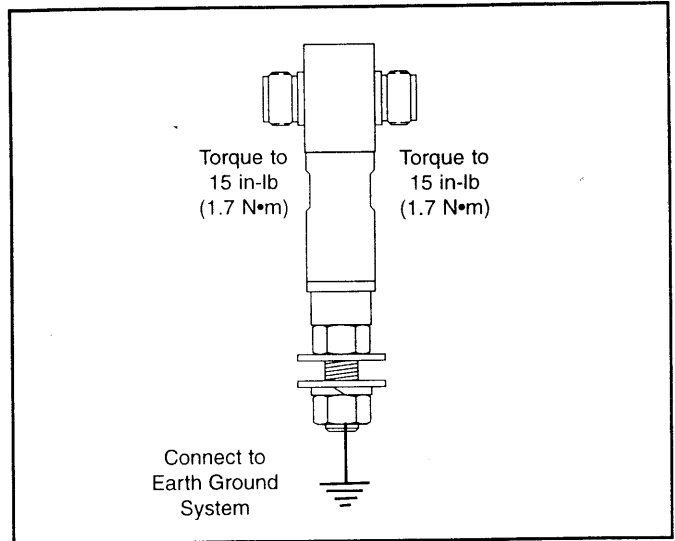
Description

The APT Surge Arrestor is designed to protect equipment from damaging transients induced by lightning strikes.

Installation

The APT Surge Arrestor is a **bidirectional** RF device. Either RF port may be connected to the equipment side or the antenna side of the transmission line interface while providing equivalent protection. Do not leave the APT Surge Arrestor RF ports exposed in outdoor applications.

The APT Surge Arrestor grounding stud **must** be attached to a good earth ground bar to ensure a low impedance path to ground. All grounding contact surfaces must be clean, dry, and free of oxidation.



Installation Options

Cable entry into the equipment room can be established by boring a 1-inch hole in the wall to accommodate cable penetration. Be sure to seal the cable penetration with a small fillet of butyl tape (supplied), caulk, or roofing cement.

ment as possible and near a suitable earth ground connection. Good ground connections include a direct lead to a buried ground rod, structural steel such as an I beam, or a cold water pipe. Miscellaneous mounting hardware such as brackets and clamps are readily available at hardware stores and electrical wholesalers.

Locate the surge arrestor as close to the radio equip-