

PROPRIETARY NOTICE: This document contains proprietary information of AAT Inc. neither the document nor said proprietary information shall be published, reproduced, copied, disclosed or used for any purpose other than consideration of this document without the express written permission of a duly authorized representative of said Company.

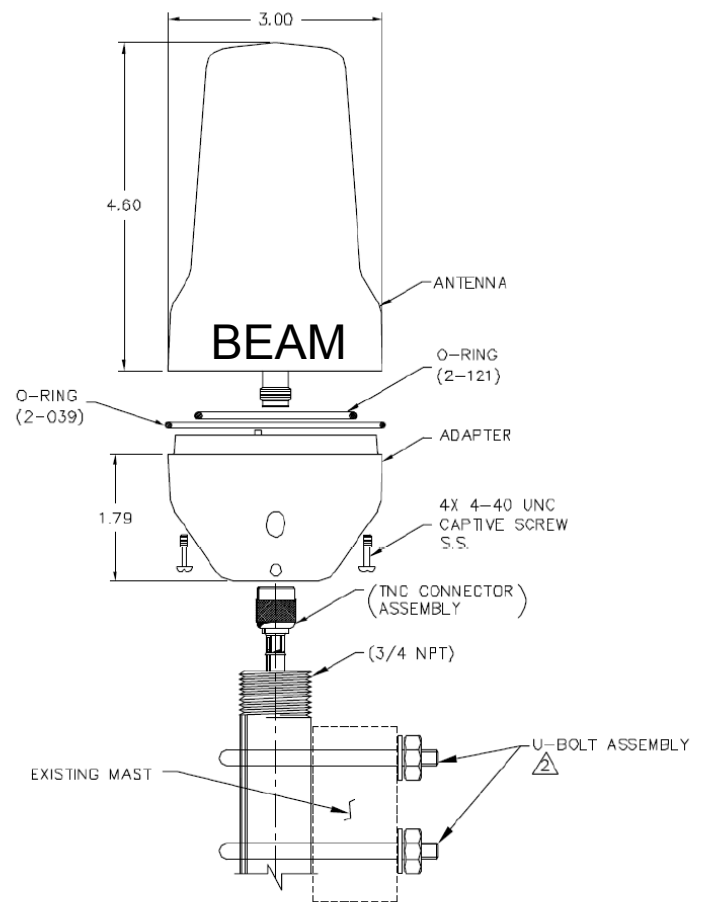
REVISIONS			
SYM	DESCRIPTION	DATE	APPROVED
A	PRODUCTION RELEASE	11/11/04	

NOTES: UNLESS OTHERWISE SPECIFIED

- LOGO OPTIONAL
- U-BOLT ASSEMBLY WILL ACCEPT .75-1.00 OD PIPE, TORQUE NUTS TO 4-6 IN./LBS.
- TOLERANCES: .XX = ±.03  
.XXX = ±.010

SPECIFICATION:

FREQUENCY: 1616-1626 MHz  
 POLARIZATION: RIGHT HAND CIRCULAR  
 AXIAL RATIO: 3 dB MAX AT BORE SIGHT.  
 RADIATION COVERAGE: +.04 dBic 0° = 0°  
 +1.4 dBic 0° < θ < 45°  
 -0.25 dBic 75° ≤ θ < 82°  
 IMPEDANCE: 50 OHMS  
 VSWR: ≤2.0:1  
 POWER HANDLING: 1 WATT  
 FINISH: WEATHERABLE POLYMER WHITE  
 CONNECTOR: TNC FEMALE  
 WEIGHT: 11 OZ  
 ALTITUDE: 20,000'  
 TEMPERATURE: -55°C to +85°C



DO NOT SCALE THIS DRAWING	DRAWN A. FARIAS	1/11/04
ALL DIMENSIONS ARE IN INCHES DIMENSIONING & TOLERANCING PER AS9145M	CHECKED	
TOLERANCES: .XX = ±.01 .XXX = ±.006 FRACT = ±1/32 ANG. = ±1/2°	ENGR N. INSTRATE	11/12/04
✓ SURFACE ROUGHNESS MACHINED PARTS V32 MOLDED PARTS V32	MFG	
REMOVE BURRS AND BREAK SHARP EDGES.	Q.L.	
PART TO BE CLEAN AND OIL FREE	APPROVED	
UNLESS OTHERWISE SPECIFIED	DRAWN IN CAD	



TITLE		
Iridium Mast Ant - White		
SIZE B	RST710	REV A
SCALE NONE		SHEET 1 OF 1