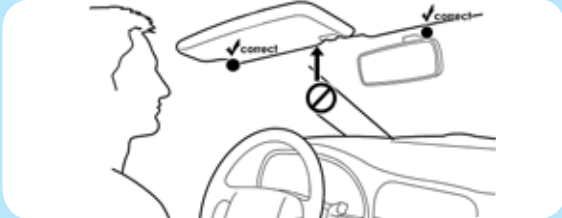


4. MIC / Audio Connections

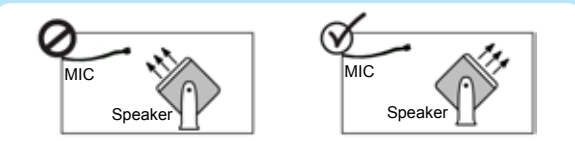
Connecting Microphone:

- The microphone should be connected to the HFI and then recessed up the door pillar or similar to a head height location close to the driver
- Care should be taken to avoid wind or high noise environments
- Avoid crimping or damaging the microphone cable during installation



Installing Speaker:

- Mount the speaker underneath the seat or other location that avoids the speaker facing the microphone
- If feedback occurs upon testing try redirecting the speaker or locate in another location.



5. Inserting 9555 Handset

1. Remove rubber grommet on back of 9555 antenna connection
2. Ensure 9555 handset is turned off
3. Ensure there is no foreign object in the cradle
4. Place the 9555 in the cradle with the base in first
5. The base connector should line up with the base of the 9555
6. Gently push the face of the 9555 into the SatDOCK
7. The 9555 should click into the locked position



1. Place 9555 on the base of the cradle



2. Push 9555 Phone into the SatDOCK



3. Ensure to 'click' to lock position

6. Ejecting 9555 Handset

To remove the 9555 handset from the cradle FIRMLY press the "Eject" button located on the top of the cradle (see diagram).



1. Firmly press 'Eject' Button



2. Release the phone

7. Using SatDOCK 9555

- After turning key/Acc on, the SatDOCK will beep upon power up
- Wait for phone to power up and register
- To call, dial the number on the 9555 keypad
- Audio/Mic will automatically route through the HFI unit
- The volume of the call can be increased using the 9555 volume
- The call can be muted using the Mute button on the SatDOCK
- When Mute is ON the Red LED will illuminate
- Incoming calls will ring with a fixed tone via the speaker
- (See User Manual to adjust the ring volume)
- Incoming calls answered by pressing green key on 9555

8. Optional Handset Modes

Intelligent User Handset: (Fully featured)

- The Beam RST970 Intelligent Handset can be used with SatDOCK using the RJ45 connector on the HFI unit. The SatDOCK must be restarted to use this handset.

Compact Privacy Handset: (Side-Jack Mic / Audio Mode)

- The compact handset can be simply used with the SatDOCK by connecting to the Side-Jack of the 9555 where a portable hands-free connect.

NOTE: To activate the Side-Jack mode, depress the Mute button for 1.5 seconds, the LED will flash Orange indicating the Side-Jack Mode is active. Press again to return to normal hands free mode.



www.beamcommunications.com
info@beamcommunications.com
TEL: +61 3 8588 4500
FAX: +61 3 9560 9055



QUICK START GUIDE

iridium SatDOCK 9555



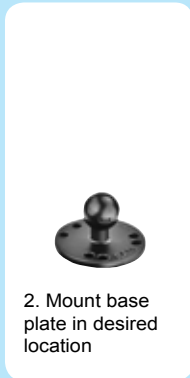
Suitable for the
Iridium 9555 Portable Satellite Telephone

Beam Communications Pty Ltd

1. Installing SatDOCK Cradle



1. Remove base plates by loosening wing nut



2. Mount base plate in desired location



3. Affix other base to SatDOCK with M4 screws



4. Rejoin the two bases using the arm



5. SatDOCK is now ready to be wired in



6. For wall mounting use bases at right angles

Considerations:

- Ensure that the cables will reach from the SatDOCK to the HFI
- Affix the base plate in a location that allows easy access & does not obstruct driver
- Allow sufficient room to easily run cables from the SatDOCK
- ONLY use the M4 screws (supplied) to affix the base to the SatDOCK to avoid any damage
- For wall mounting use the RAM Bracket with both bases parallel to each other
- Tighten wing nut on the bracket to securely hold the SatDOCK
- Avoid making any sharp bends in the antenna cable when determining the cable route
- The fixed cables from the SatDOCK should never be extended, Antenna cables must be approved

WARNING: Your Iridium 9555 Handset requires firmware HT09007 or greater. To check your firmware version on your Iridium 9555 handset press "Menu" then navigate to "Setup" then "Phone Information". For more information and 9555 Handset firmware downloads visit: <http://www.beamcommunications.com/9555upgrade>

NOTE: For Data operation the USB port on the Iridium 9555 handset must not be used whilst docked in the cradle. Please use the USB port located on the bottom of the 9555 SatDOCK.

2. Connecting SatDOCK

Connecting to Hands-free Interface:

- DC power should not be connected to the HFI before connecting SatDOCK cables
- It is not safe to extend the main loom from the SatDOCK to the HFI
- DO NOT route cables near areas of intense heat
- DO NOT pull or strain the cable from the SatDOCK to the HFI
- DO NOT over tighten thumbscrews of HFI connector

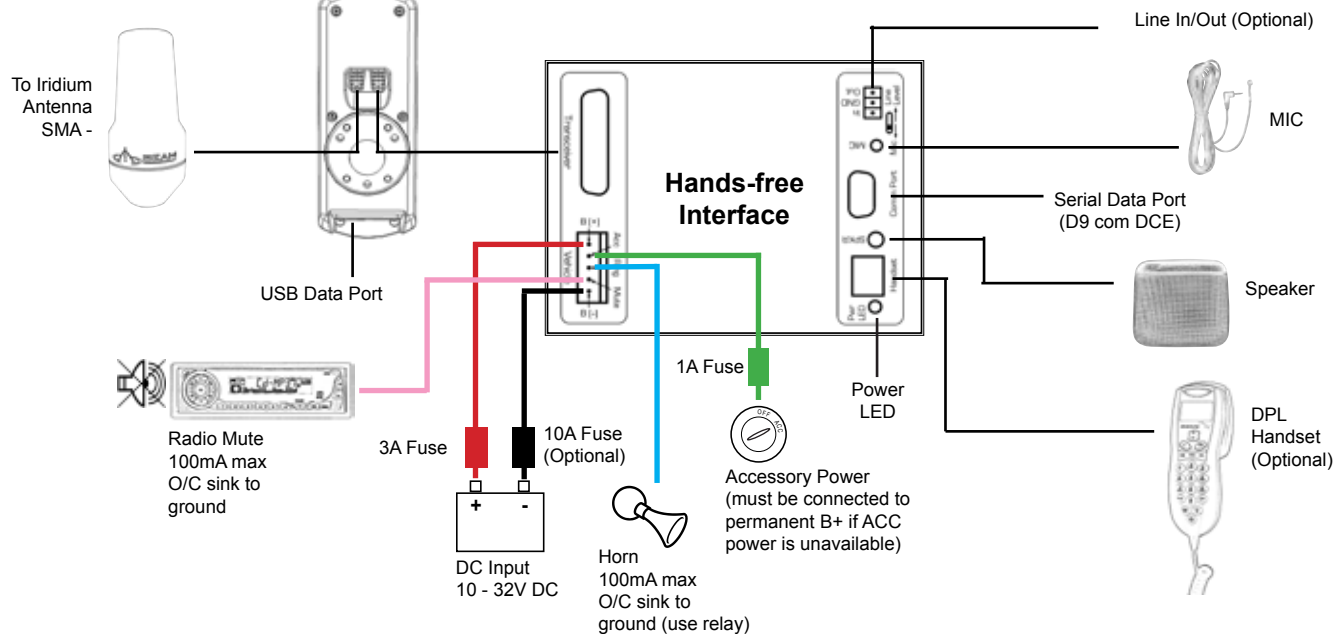
Connecting to the Antenna:

- The SatDOCK has a fixed antenna fly lead ready for connecting to an antenna cable
- Only certified cables within the Iridium specification should be used
- Ensure antenna cables are routed avoiding any sharp bends in the cable
- The antenna should always be installed with clear line of site to the sky

SatDOCK USB Data Port:

- The SatDOCK has an integrated USB Data Port on the rear. Download driver from www.beamcommunications.com/sup-port before use

SatDOCK 9555 Installation Set Up



3. Hands-free Interface Installation & Connections

Connecting to DC Voltage:

- Secure the HFI through the screw holes on the enclosure and ensure that all cables connectors are still accessible.
- The HFI can be connected to a 10-32V DC input > 25 watts
- Using the screw connectors provided connect the wires in the following order from left (1) to right (5)

1. **RED** = +9 to +32V DC (B+) battery wire to vehicle power via 3A fuse
2. **GREEN** = ACC Power Sense (+) via 1A Fuse - Ignition Sense
3. **BLUE** = Horn Alert (wire not included)
4. **PINK** = Radio Mute (wire not included)
5. **BLACK** = Ground (B-) Ground Wire to negative battery / Vehicle Chassis

NOTE: To limit ground loops run the red and black wires directly to the battery or main power source. Remove ALL fuses before connecting wires, once complete then reinstall fuses.

ACC Power Sense:

- Automatically senses when the vehicle key is ON and accessory power present
- If ACC is not available then this ACC wire must be connected to constant power